

Item	Description	HP Part No.	Qty.
1	0- 30 Pressure Gauge	19320- 60650	1
2	O- ring	0905- 1174	5
3	Spacer, Pressure Gauge	19243- 40010	1
4	Swagelok Plastic Cap, 1/8- inch	05890- 40050	2
5	0- 30 Forward Pressure Regulator	19245- 60690	1
6	Screw, Machine, M4 x 0.7 x 8	0515- 0910	3
7	FPR Clamp Plate	19245- 20700	1
8	Inlet Fitting	19231- 20560	1
9	FID Air Restrictor (brown dot)	19231- 60610	1
10	O- ring, 0.239 id	0905- 1014	1
11	Nut, Hex with Lock Washer	0535- 0043	2
12	Screw, Thread Cutting	0624- 0665	1
13	PCOC Purge Regulator	19245- 60530	1
14	PCOC Purge Restrictor Assy.	19245- 80530	1
15	Vent Torque Plate	19244- 00030	1
16	MPCOC Flow Bracket	19245- 00100	1
17	Hex Nut, 5/16- inch	2950- 0203	1

Figure 5. PCOC Manual Pressure Control (Sheet 1 of 2).

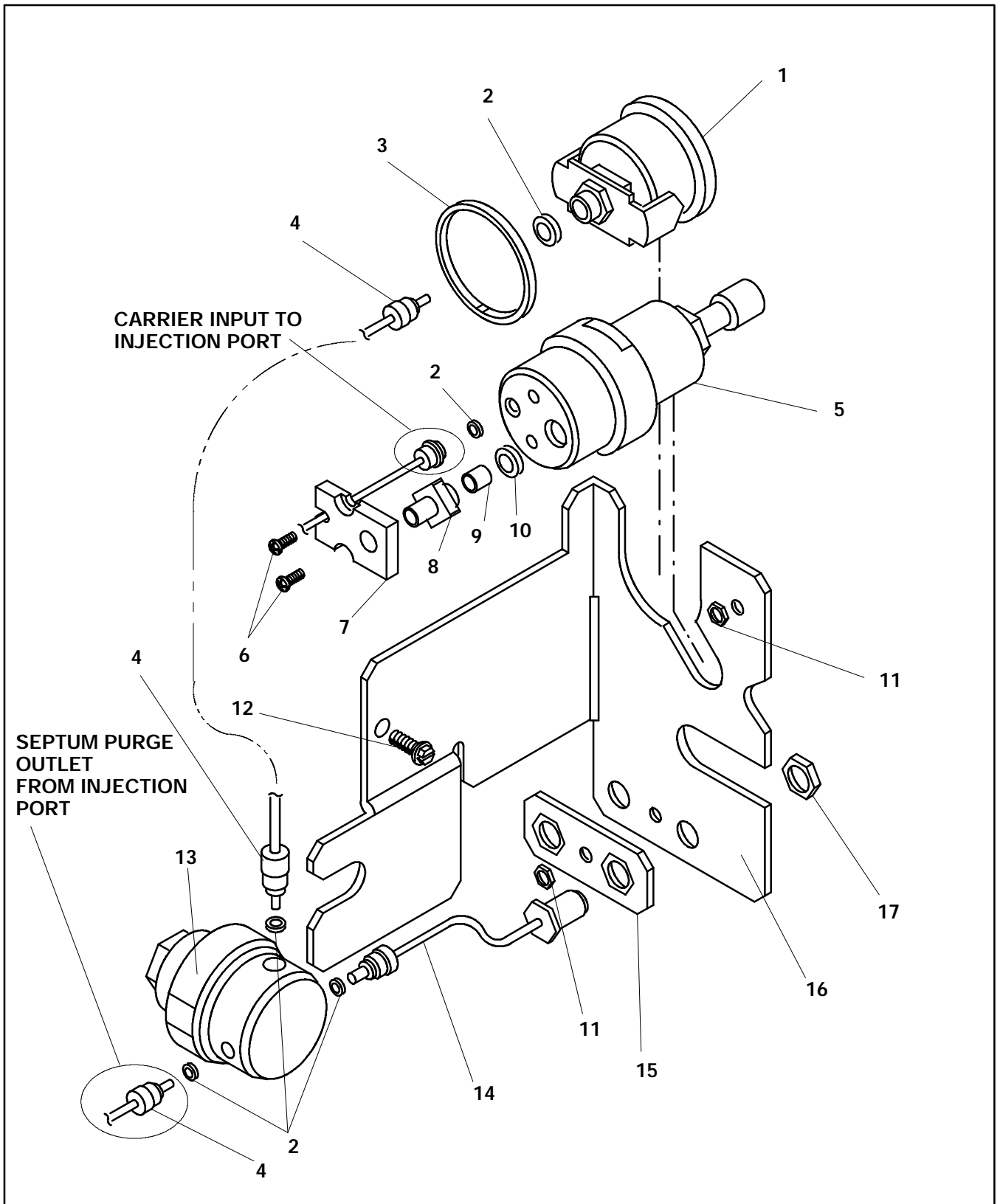


Figure 5. PCOC Manual Pressure Control (Sheet 2 of 2).